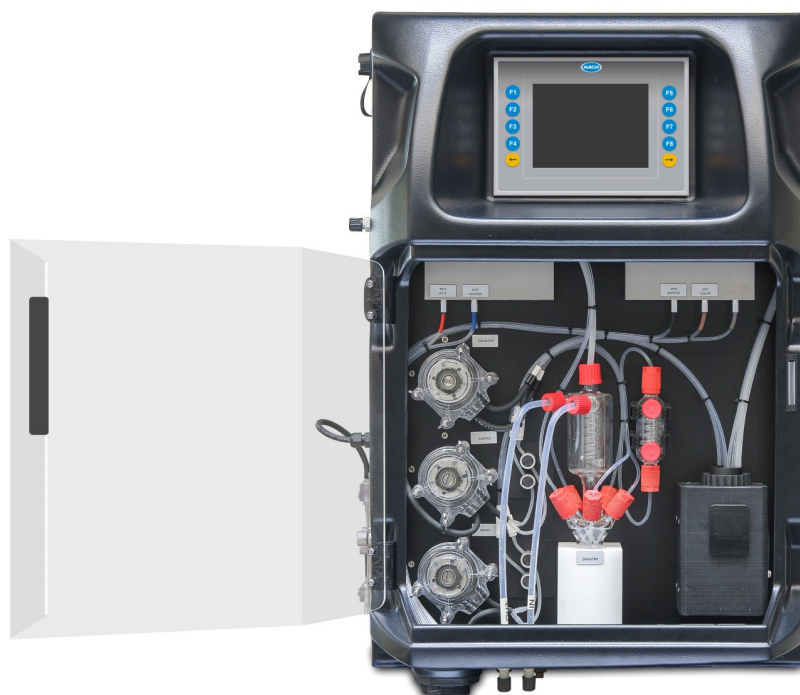


EZ2000 SERIES

On-line Colorimetric Analyzers / Digestion+ Analysis of Total Chromium

Applications

- Waste water
- Drinking water
- Surface water



Single and multiple parameter water analysis for industrial and environmental applications

Managing both quantity and quality of water resources has traditionally been a challenging task for private companies and authorities. The art of on-line monitoring can help them to measure quickly and effectively all the relevant parameters in the water, originating from either a natural source or an industrial site.

Since their introduction in 2009 the **EZ2000 Series** of On-line Colorimetric Analyzers have served in hundreds of industrial water, drinking water and municipal water applications. The flexible analyzer mainframe allows a perfect on-line duplicate of any standard/laboratory wet-chemical method, with outstanding precision and accuracy.

Contrary to the **EZ1000 Series**, the **EZ2000** has an internal sample digestion unit. This additional step prior to analysis allows to measure non-soluble or complexed metal species, a typical behavior of some metals in drinking water or natural waters.

The **EZ2000 Series** on-line analyzers stem from many years of analytical expertise and application knowledge in colorimetry in an attractive, yet rugged mainframe with a compact footprint, harnessing the following features:

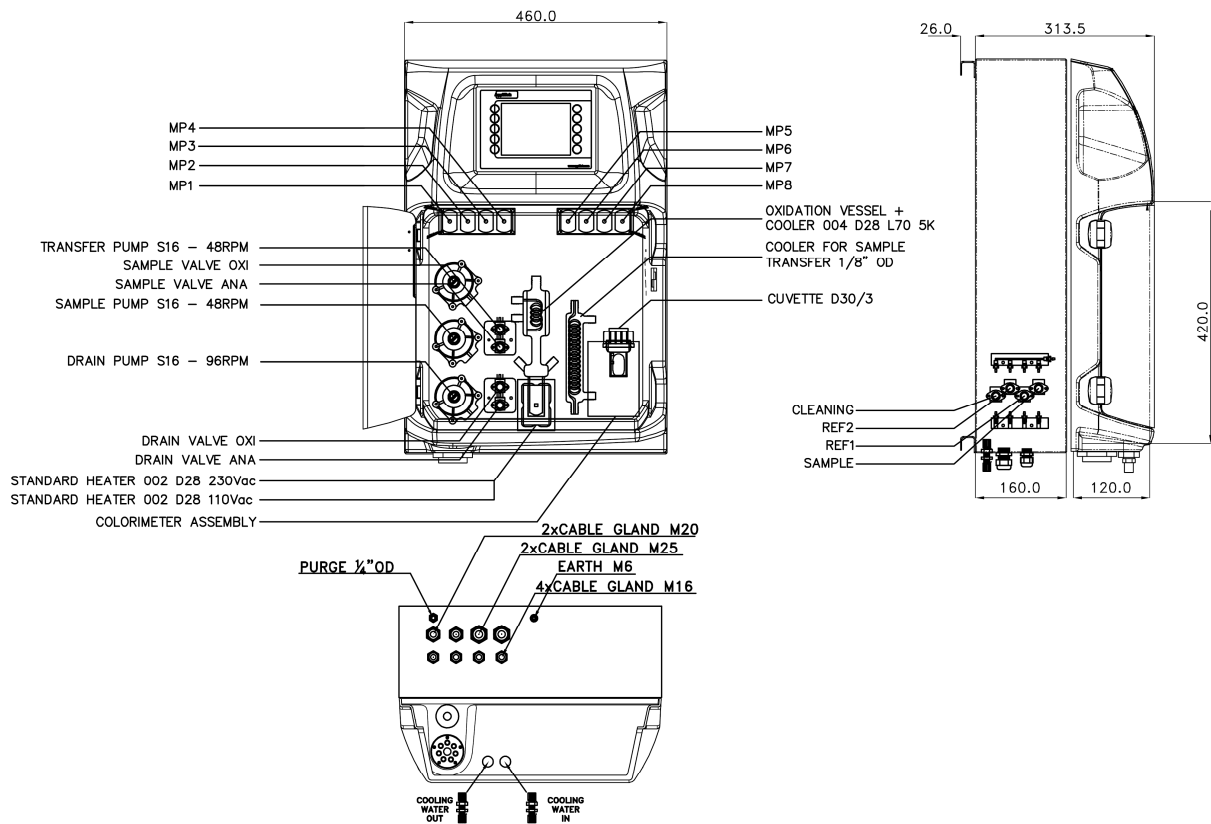
- Excellent analytical performance
- Built-in sample digestion unit
- Smart automatic features
- Control and communication via industrial panel PC
- Standard 4 - 20 mA signal output with alarm processing
- Communication ports supporting connectivity to Modbus
- Higher measuring ranges: internal sample dilution
- Multiple stream analysis

Technical data*

Analysis method	Colorimetric measurement at 546 nm using diphenylcarbazide method, conform with standard method APHA 3500-Cr (B)
Parameter	Total Cr, Cr(VI)
Measuring range	0 – 500 µg/L Cr ⁶⁺
Cycle time	20 minutes Total Cr (dilution +5 min.) 30 minutes Total Cr & Cr(VI)
Limit of quantification (LOQ)	≤ 1 µg/L
Precision/Repeatability	Better than 2% full scale range for standard test solutions
Cleaning	Automatic; frequency freely programmable
Calibration	Automatic, 2-point; frequency freely programmable
Validation	Automatic; frequency freely programmable
Interferences	Iron (III) [(Fe) ³⁺], mercury [(Hg) ²⁺] > 200 mg/L, molybdenum [(Mo) ²⁺] > 200 mg/L, vanadium (V) [(V) ⁵⁺] > 5 mg/L. Large amounts of color and turbidity interfere. Fats, oil, proteins, surfactants and tar.
Ambient operating conditions	10 °C – 30 °C +/- 4 °C deviation (50 °F – 86 °F +/- 7.2 °F deviation) at 5 - 95% relative humidity non-condensing
Reagent temperature	Keep between 10 °C - 30 °C (50 °F - 86°F)
Sample pressure	By external overflow vessel
Sample flow rate	100 - 300 ml per minute
Other sample requirements	Temperature: 10 °C – 30 °C (50 °F – 86 °F); Maximum size 100 µm, < 0.1 g/l; Turbidity < 50 NTU
Power	220 - 240 VAC, 2 A, 50/60 Hz Max. power consumption: 150 VA; Other voltages available on request
Instrument air	Dry and oil free according to ISA-S7.0.01-1996 quality standard for instrument air
Demineralized water	For dilution purposes
Drain	Atmospheric pressure, vented, min. Ø 64 mm
Earth connection	Dry and clean earth pole with low impedance (< 1 ohm) using an earth cable of > 2.5 mm ²
Analogue outputs	Active 4 - 20 mA max. 500 Ohm load, standard 1, max. 8 (option)
Digital outputs (option)	MODBUS, RS232, RS485
Alarms	1 x malfunctioning, 4 x user-configurable, max. 24 VDC/0.5 A, potential free contacts
Protection class	Analyzer cabinet: IP55 / Panel PC: IP65
Materials, hinged part	Thermoform ABS, Door: plexiglass
Materials, wall section	Galvanized steel, powder coated
Dimensions (H X W X D)	69 cm (27.2") x 46.5 cm (18.3") x 33 cm (13")
Total weight	25 kg (55 lbs.)
Certification	CE compliant / UL certified
Warranty	2 years

* Subject to change without further notice.

Dimensions - Drawings



Service packages

Start-Up/Commissioning:

Our service technicians visit your site and setup instrumentation, provide basic end-user training on operations and maintenance, and validate settings and performance to get you started.

Service Agreement:

Hach provides on-site and in-factory repair, preventive maintenance, and calibration programs for your instruments to ensure reliability and instrument up-time. We have services to fit your specific needs.

Contact us to learn about what Hach Service option is right for you.

Order information

EZ2001.99XXXXX

EZ2000 Series, Total Cr 0 – 500 µg/L

EZ2301.99XXXXX

EZ2000 Series, Total Cr & Cr(VI) 0 – 500 µg/L

All options (see Configurator)

E	Z	2	X	X	X	.	9	9	X	X	X	X	X	2
---	---	---	---	---	---	---	---	---	---	---	---	---	---	---

Measurement range settings / Dilution options

10% of standard range	A
25% of standard range	B
50% of standard range	C
standard range	0
internal MP dilution (factor 4)	1
internal MP dilution (factor 10)	3
internal MP dilution (factor 20)	4
customized	Z

power supply

220 VAC / 50 Hz	A
110 VAC / 60 Hz	B
Customized	Z

number of sample streams

1 stream	1
2 streams	2
3 streams	3
4 streams	4
5 streams	5
6 streams	6
7 streams	7
8 streams	8

Outputs

1x mA	1
2x mA	2
3x mA	3
4x mA	4
5x mA	5
6x mA	6
7x mA	7
8x mA	8
RS232	A
Modbus TCP/IP	B
Modbus RS485	C
AnaCommDa	D
1x mA + Modbus RS485	E
2x mA + Modbus RS485	F
3x mA + Modbus RS485	G
4x mA + Modbus RS485	H
1x mA + Modbus TCP/IP	I
2x mA + Modbus TCP/IP	J
3x mA + Modbus TCP/IP	K
4x mA + Modbus TCP/IP	L
Customized / combined	Z

Specials

no adaption, standard version	0
customer specific adaptations required, to specify	S